

L-VOM20A/EN(C) L-VOM20A/EN Aluminum Outdoor Column Loudspeaker

FEATURES

- Intelligible voice and superior sound reproduction
- Robust aluminum housing
- Supplied with universal swivel bracket for easy angle adjustment
- Able to be switched between 100V and 70V
- Adapts to extreme environment
- EN54-24 certified
- Complies with IP66 standard
- Available with or without capacitor(part number without “C”)



PRODUCT DESCRIPTION

L-VOM20A/EN is a high-performance 20W voice alarm column loudspeaker for outdoor use. It provides a broad frequency response range, low distortion and high sound pressure level for accurate and intelligible broadcast of evacuation messages and high quality sound reproduction. Its low-profile, white

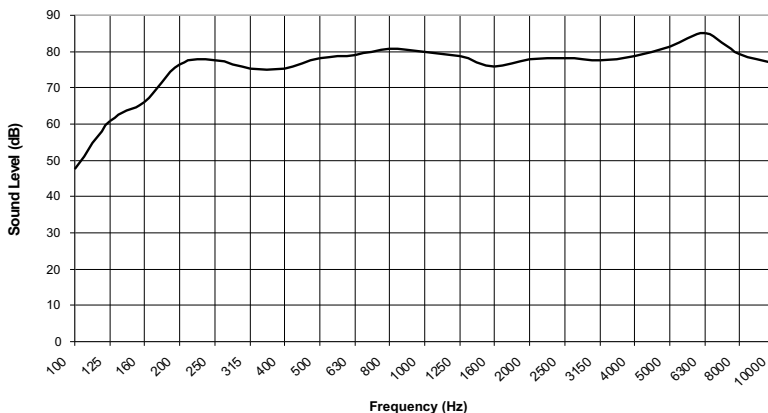
color design blends easily with most interiors in locations such as hotels, conference rooms, cinemas, theme parks, factories and exhibitions.

This voice alarm outdoor column loudspeaker complies with BS 5859 part 8 and EN54 part 24.

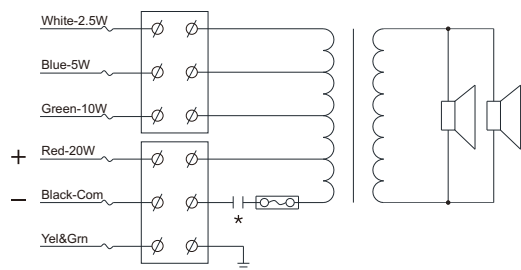
TECHNICAL SPECIFICATIONS

Model	L-VOM20A/EN(C) L-VOM20A/EN
Max power	30 W
Rated power	20 W (10W x 2)
Power taps @ 100 V	20 W / 10 W / 5 W / 2.5 W
SPL at 20 W / 1 W (100 Hz-10 KHz,1 m)	103 dB / 91 dB
SPL at 20 W / 1 W (100 Hz-10 KHz,4 m)	91 dB /79 dB
Frequency response(-10 dB)	300 Hz ~ 15 KHz
Rated input voltage	100 V / 70 V
Rated impedance	500 Ω / 1K Ω / 2K Ω / 4K Ω
Connection	Fire-resistant Cable
Dimensions (W×H×D)	165 mm x 150 mm x 344 mm
Weight	3.75 Kg
Color	White (RAL9003)
Speaker size	4" x 2
Material	Aluminum
DC Blocking Capacitor	Yes (2.2uF) L-VOM20A/EN(C)
	No L-VOM20A/EN

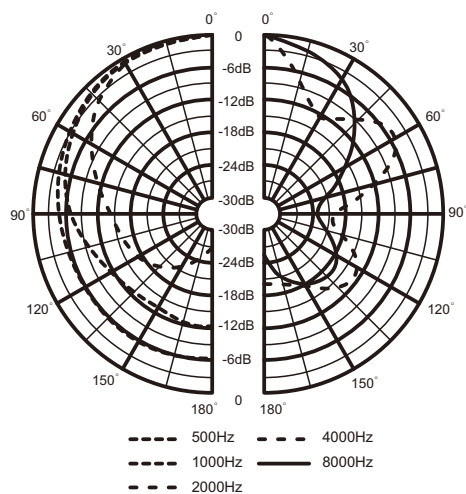
FREQUENCY RESPONSE



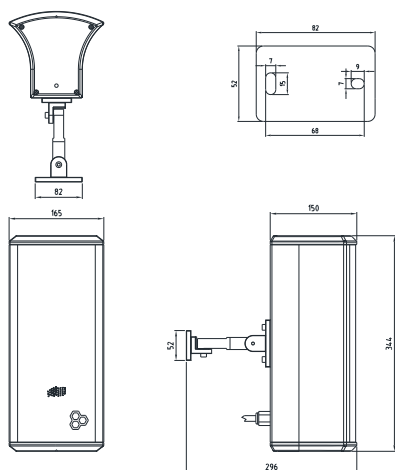
CIRCUIT DIAGRAM



POLAR DIAGRAM



THREE-VIEW DIAGRAM



Honeywell Audiovisuals

2100040715_EN1.5

Oct 2014

© 2014 Honeywell International Inc.

www.honeywellav.com

