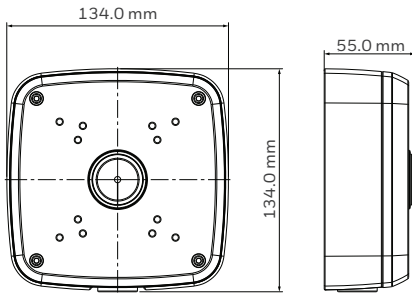


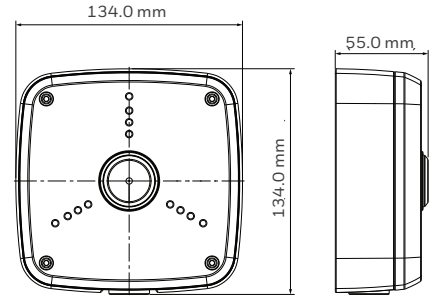
Indoor/Outdoor Mounts and Accessories

DIMENSIONS

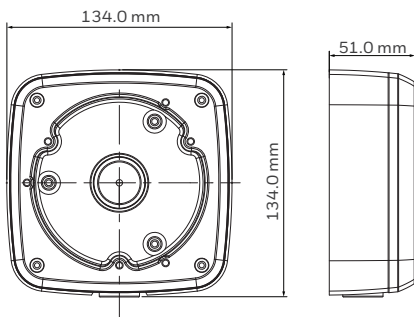
HQA-BB1



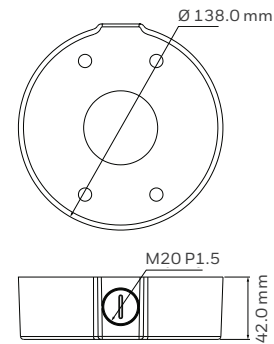
HBS2-BB



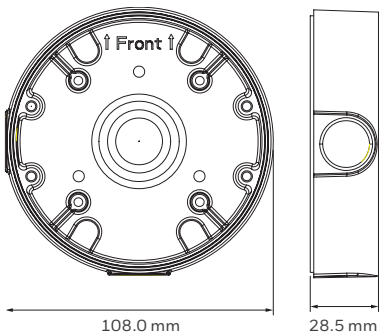
HQA-BB2



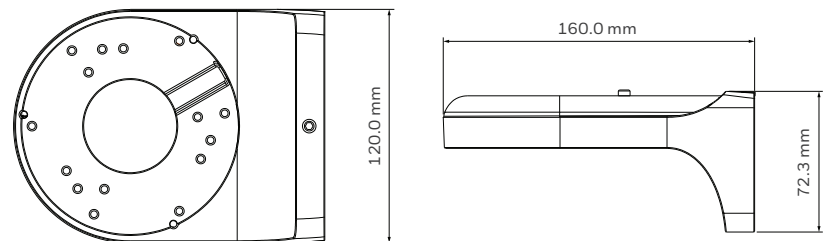
HEJB



HQA-BB3



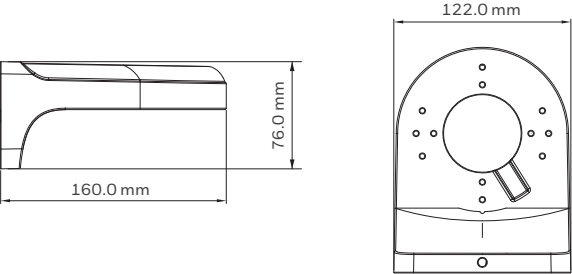
HQA-WK



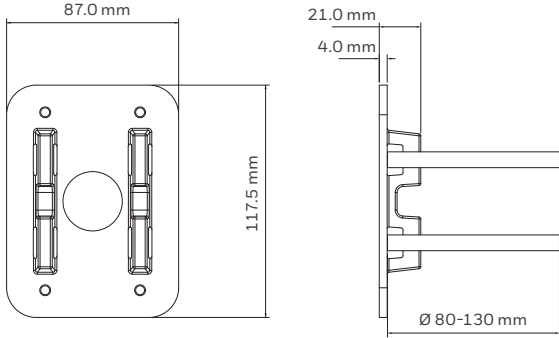
Indoor/Outdoor Mounts and Accessories

DIMENSIONS

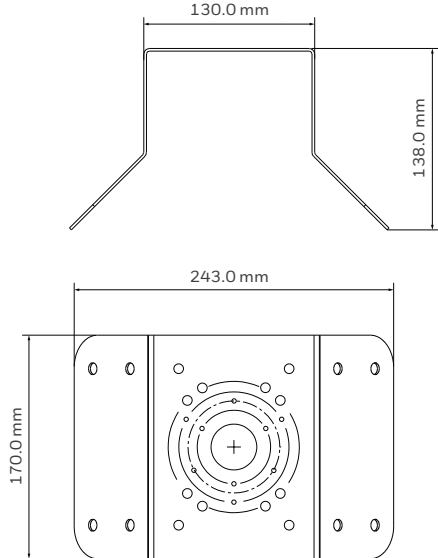
HQA-WK2



HQA-PM



HB34S2-CM



Indoor/Outdoor Mounts and Accessories

SPECIFICATIONS

MECHANICAL			
MODEL NO.	UNIT WEIGHT	CONSTRUCTION	DIMENSIONS
HQA-BB1	1.1 lb (0.5 kg)	Die-cast aluminum	134.0 × 134.0 × 55.0 mm
HQA-BB2	1.32 lb (0.6 kg)	Die-cast aluminum	134.0 × 134.0 × 51.0 mm
HQA-BB3	1.08 lb (0.49 kg)	Die-cast aluminum	160.0 × 122.0 × 76.0 mm
HBS2-BB	1.1 lb (0.5 kg)	Die-cast aluminum	134.0 × 134.0 × 55.0 mm
HEJB	0.84 lb (0.38 kg)	Die-cast aluminum and SECC steel	ø 138.0 × 42.0 mm
HQA-PM	0.44 lb (0.2 kg)	Die-cast aluminum	117.5 × 87.0 × 21.0 mm
HB34S2-CM	3.75 lb (1.7 kg)	SECC steel	243.0 × 170.0 × 138.0 mm
HQA-WK	2.2 lb (1.0 kg)	Die-cast aluminum and ABS	120.0 × 72.3 × 160.0 mm
HQA-WK2	0.35 lb (0.16 kg)	Die-cast aluminum	ø108.0 × 28.5 mm

* With a compatible junction box

A compatible junction box is required when installing to either the HQA-PM pole mount or the HB34S2-CM corner mount.

MOUNTS	COMPATIBLE HONEYWELL CAMERAS	MOUNTS	COMPATIBLE HONEYWELL CAMERAS
HQA-BB1	HBW2PR1, HBW4PR1	HB34S2-CM	H2W2PRV3*, H2W4PRV3*, H4W2PRV2*, H4W4PRV2*, H4W4PRV3*, HBW2PR1*, HBW4PR1*, HBW2PR2*, HBW4PR2*, HEW2PR1*, HEW2PRW1*, HEW2PR2*, HEW4PR2*, HEW4PR3*, HEW4PRW3*
HQA-BB2	H4D3PRV2, H4D2PRV3, H4W2PRV2, H4W4PRV2, H4W4PRV3, HEW2PR2, HEW4PR2	HQA-WK	HED1PR3, HED3PR3, H4D3PRV2, H4D3PRV3, H4W2PRV2, H4W4PRV2, H4W4PRV3, HEW2PR2, HEW4PR2
HQA-BB3	H2W2PRV3, H2W4PRV3, HEW2PR1, HEW2PRW1, HEW4PR3, HEW4PRW3	HQA-WK2	H2W2PRV3, H2W4PRV3, HEW2PR1, HEW2PRW1, HEW4PR3, HEW4PRW3
HBS2-BB	HED1PR3, HED3PR3, HBD1PR1, HBD3PR1, HBD3PR2, HBW2PR2, HBW4PR2		
HEJB	HED1PR3, HED3PR3, HBD1PR1, HBD3PR1		
HQA-PM	H2W2PRV3*, H2W4PRV3*, H4W2PRV2*, H4W4PRV2*, H4W4PRV3*, HBW2PR1*, HBW4PR1*, HBW2PR2*, HBW4PR2*, HEW2PR1*, HEW2PRW1*, HEW2PR2*, HEW4PR2*, HEW4PR3*, HEW4PRW3*		

ORDERING

HQA-BB1	Junction Box, Off-White	HQA-PM	Pole Mount Adapter, Off-White
HQA-BB2	Junction Box, Off-White	HB34S2-CM	Corner Mount Adapter, Off-White
HQA-BB3	Junction Box, Off-White	HQA-WK	Wall Mount, Off-White
HBS2-BB	Junction Box, Off-White	HQA-WK2	Wall Mount, Off-White
HEJB	Junction Box, Off-White		

For more information

www.honeywell.com/security/uk

Honeywell Security and Fire

Aston Fields Road
Whitehouse Industrial Estate
Runcorn
Cheshire
WA7 3DL
UK
Tel: 08448 000 235
Fax: +44 (0)1928 754 050
www.honeywell.com

Honeywell reserves the right, without notification, to make changes in product design or specifications.

HSFV-PerfR2-IOMA-01-UK(0117)DS-E
January 2017
© 2017 Honeywell International Inc.

Honeywell